



In the field of architectural fittings for glass doors high quality and total design flexibility are essential for ease of installation, safety and functionality.

**GCC** full range of fittings are aesthetically designed and manufactured to provide practicality and security to tempered glass assemblies.

**GCC** will be happy to help your special design requirements, for any doubts, please contact your nearest **GCC** distributors for any technical assistance on parts and services, or contact us directly.

**GCC** reserves all rights to make product modifications or engineering changes without notification.



# MANUAL SLIDING DOOR SYSTEM

Patented

## SDT 120 & SDT 150 Series



### GOOD CREDIT CORPORATION

No.13, Longmen Rd., Situn Dist., Taichung 40757, Taiwan

P.O.Box 1700, Taichung 40099, Taiwan

E-mail : [gcctw@ms7.hinet.net](mailto:gcctw@ms7.hinet.net)

TEL : 886 - 4 - 22583755 ( Hunting Line )

FAX : 886 - 4 - 22583753

[http : //www.gccintw.com.tw](http://www.gccintw.com.tw)

Agent / Distributor

© Copyright 2010.03 Good Credit Corporation

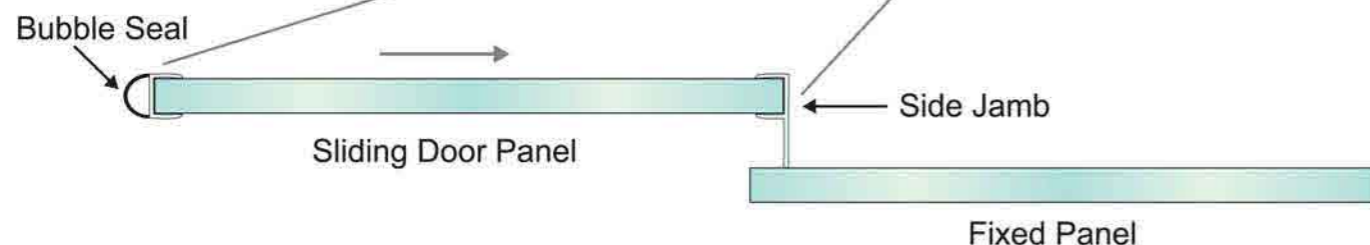




## SDT 120 SLIDING DOOR SYSTEM

### Shower Sliding Door Contain:

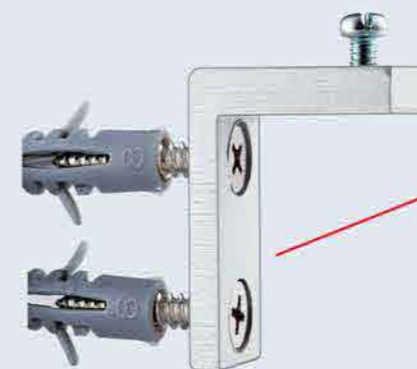
- SDT 120ST Sliding Door Track.
- SDT 120FP Side Channel.
- SDT 120TC Top Cover.
- RH 65 Roller Hanger.
- P08 BS or P10 BS Bubble Seal.
- P810 SDJ Side Jamb.
- SDT 120SH Side Holder Bracket.
- CFH 65 Concealed Fixing Handle. or other type handles.
- BG 15 or BG 15S Bottom Guide.



## SDT 120 SLIDING DOOR SYSTEM

SDT 120ST Sliding Door Track	SDT 120FP Side Channel	SDT 120TC TOP Cover
<ul style="list-style-type: none"> <li>• Load Capacity: 120kgs (264Lbs)</li> <li>Stock Length: 2.0 Meter 4.0 Meter 3.0 Meter 6.0 Meter</li> </ul>	<ul style="list-style-type: none"> <li>• For fix panel with SDT 120ST Sliding Door Track.</li> <li>Stock Length: 2.0 Meter 4.0 Meter 3.0 Meter 6.0 Meter</li> </ul>	<ul style="list-style-type: none"> <li>• For fix on top of both SDT 120ST &amp; SDT 120FP, if Sliding Door Track not fix to the ceiling.</li> <li>Stock Length: 2.0 Meter 3.0 Meter</li> </ul>

### SDT 120SH Side Holder Bracket



- For holding SDT 120ST Sliding Door Track on both sides wall.





# SDT 150 SLIDING DOOR SYSTEM

**SDT 150ST**  
Sliding Door Track

49.5mm  
39.5mm

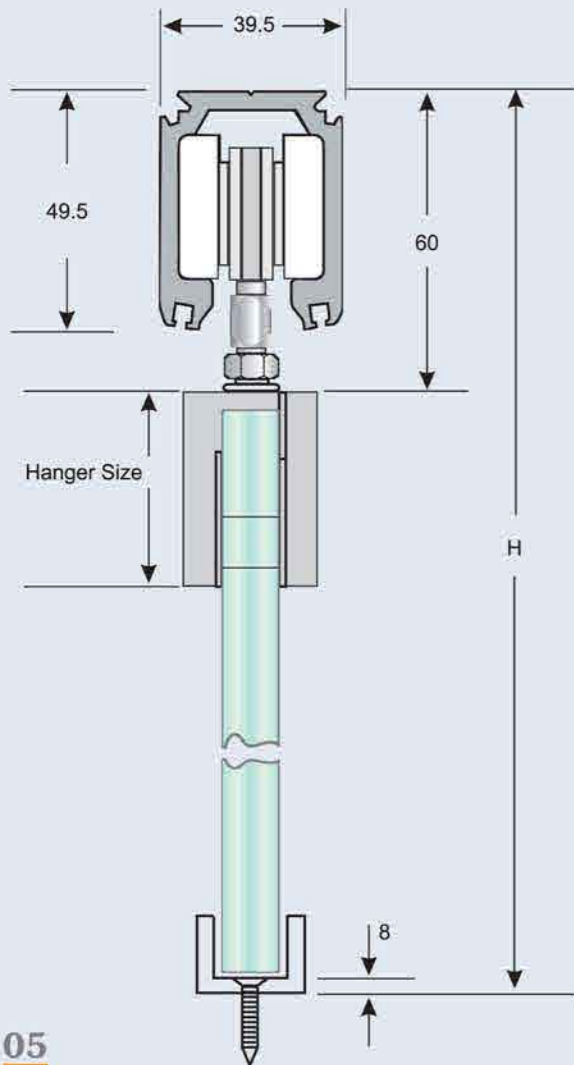
- Load Capacity: 150kgs (330Lbs)
- Stock Length:
  - 2.0 Meter
  - 3.0 Meter
  - 4.0 Meter
  - 6.0 Meter

**SQ 50**  
Weather Strips

**SDT 120ST**      **SDT 150ST**

25mm

- For entrance door to keep dust out and aircondition inside.



**SDT 150ST**



# MANUAL SLIDING DOOR SYSTEM






**RH/DR 102S**  
Roller Hanger

**RH 73W**  
Roller Hanger

**RH 10**  
Roller Hanger

- Cover Finishes for RH65, RH68, RH73W & RH10.  
PSS: Polished Stainless steel.  
SSS: Satin Stainless Steel.  
TP : Titanium Plated (PVD coated as Gold color but never change).

- Anodized Finishes for RH 50C, RH50F.  
BS: Bright Silver.  
MS: Mat Silver.  
SNK: Similar as Hairline Polished Stainless Steel.

<p><b>RH 65 Roller Hanger</b></p>  <ul style="list-style-type: none"> <li>• For mount within glass door panel.</li> <li>• Suitable for 8mm(5/16") &amp; 10mm(3/8") thick tempered glass door panel.</li> <li>• Capacity: 60Kgs(132Lbs.)</li> </ul>	<p><b>RH 68 Roller Hanger</b></p>  <ul style="list-style-type: none"> <li>• For mount within glass door panel.</li> <li>• Suitable for 10mm(3/8") &amp; 12mm(1/2") thick tempered glass door panel.</li> <li>• Capacity: 100Kgs(220Lbs.)</li> </ul>	<p><b>RH 73W Roller Hanger</b></p>  <ul style="list-style-type: none"> <li>• For mount within glass door panel.</li> <li>• Suitable for 10mm(3/8") &amp; 12mm(1/2") thick tempered glass door panel.</li> <li>• Capacity: 100Kgs(220Lbs.)</li> </ul>
<p><b>RH/DR 102S Roller Hanger</b></p>  <ul style="list-style-type: none"> <li>• For fix <b>GCC</b> DR-102 Door Rail (refer to <b>GCC</b> Door Rails Catalogue for details).</li> <li>• Suitable for 10mm(3/8") &amp; 12mm(1/2") thick tempered glass door panel.</li> <li>• Capacity: 100Kgs(220Lbs.)</li> </ul>	<p><b>RH 10 Roller Hanger</b></p>  <ul style="list-style-type: none"> <li>• For mount at corner of glass panel.</li> <li>• Suitable for 10mm(3/8") &amp; 12mm(1/2") thick tempered glass door panel.</li> <li>• Capacity: 100Kgs(220Lbs.)</li> </ul>	<p><b>RH50C/RH50F Roller Hanger</b></p>  <ul style="list-style-type: none"> <li>• For mount within glass door panel.</li> <li>• RH50F type suitable for sliding door panel only without fixed panel (Required Ø20mm 2 holes)</li> <li>• Suitable for 10mm(3/8") &amp; 12mm(1/2") thick tempered glass door panel.</li> <li>• Capacity: 100Kgs(220Lbs.)</li> </ul>

• Detail notches for each model packed with Roller Hanger.

**SM 15 Side Mount**



- For fix at Side Wall

**TM 15 Top Mount**



- For fix at Top Ceiling

**ACC 150 Aluminium Track Cover**



- For fix with SDT120 or SDT150 Sliding track.
- Stock Length: 2.0 meter 3.0 meter 4.0 meter
- Finishes: AL-Anodized Satin Aluminium  
PSS-Alum. w/stainless steel Cover in Mirror Polish.  
SSS-Alum. w/stainless steel Cover in Hairline Polish.

**Typical Applications**

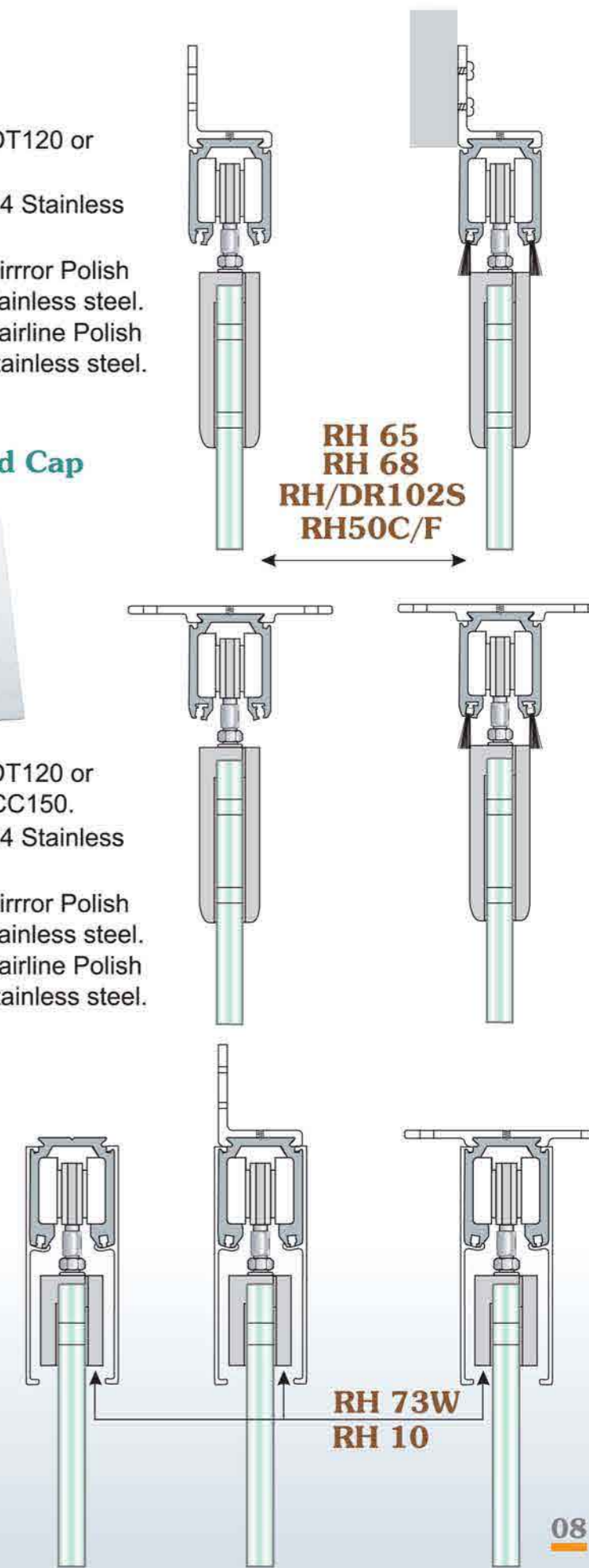
**TEC 48 End Cap**

- For fix end of SDT120 or SDT150.
- Made by SUS304 Stainless steel.
- Finishes: PSS-Mirror Polish stainless steel.  
SSS-Hairline Polish stainless steel.

**TEC 113 End Cap**

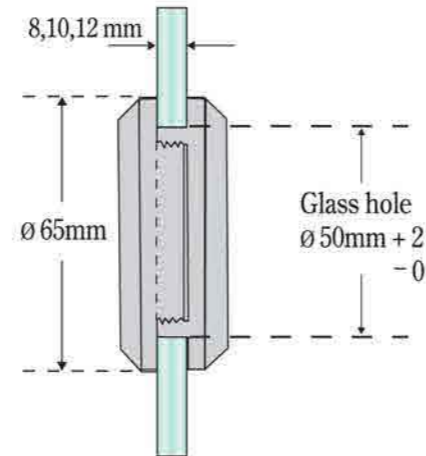
- For fix end of SDT120 or SDT150 With ACC150.
- Made by SUS304 Stainless steel.
- Finishes: PSS-Mirror Polish stainless steel.  
SSS-Hairline Polish stainless steel.

**SDT 120 SDT 150**



**CFH 65 Concealed Fixing Handle**

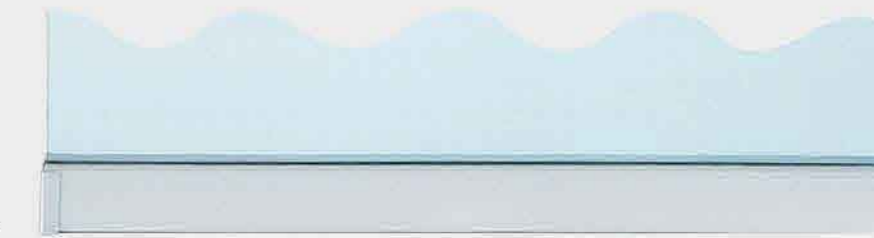
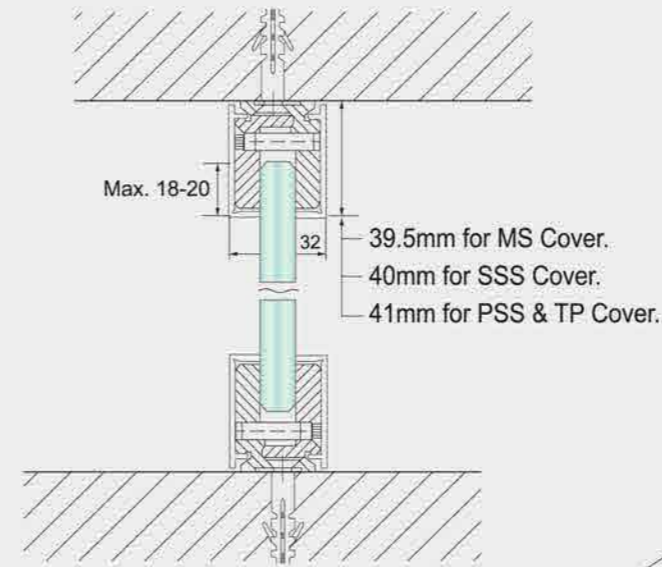
Anodized Finishes: BS : Bright Silver  
 MS : Mat Silver  
 BK : Mat Black  
 BB : Bright Brass  
 SNK : Similar as Hairline  
 Polished stainless steel.



**Wall Profile System**

**WP 10** For 10mm(3/8")Glass Thickness.  
**WP 12** For 12mm(1/2")Glass Thickness.

- No messy sealant.
- No holes required.
- Easy and quick installation.
- 3000mm stock length.

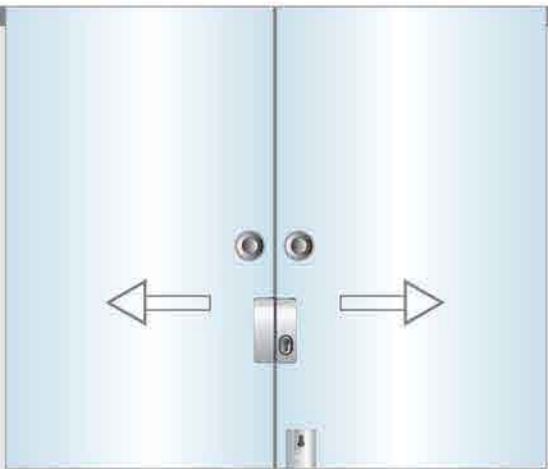


Stainless steel in PSS, SSS & TP finish.



**Available finishes for cover:**

- MS** : Aluminium anodized-mat silver.
- PSS**: Polished Stainless Steel.
- SSS**: Satin Stainless Steel.
- TP** : Titanium plated.(PVD coated as Gold color.)



**ESH 15**

End Stop and Holder

**BG 15S** Bottom Guide

**BG 15** Bottom Guide



- For stop the glass panel at right or left end.

- For hold the glass panel at bottom.
- Adjustable for 10/12mm thick glass.
- Made by stainless steel.

- For hold the glass panel at bottom.
- Adjustable for 8/10/12mm thick glass.
- Made by industrial grade plastic.

