



In the field of architectural fittings for aluminum & tempered glass doors, both high quality and total design flexibility are essential criteria together with ease of installation, safety and function.

GCC full range of fittings are aesthetically designed and manufactured to provide practicality and security to tempered glass assemblies, such as Tempered Glass Door Fittings, PVC Seals W/Weather Strips, Glass Clamps, Shower Door Hinges, Handles & Knobs, PVC Seals & Wipes and Reinforcement Bars for Shower Screen. Door Rails, Pivoting Door systems, office partition systems, Lever Hinges & Locks, Heavy-Duty Sliding Wall systems, Heavy Duty Sliding & Folding Door System, Floor Spring, Concealed Overhead Door Closer, Glass Connectors....etc. For details welcome to visit our website at www.gccintw.com.tw

GCC will be happy to help your special requirements, for any doubts, please contact your nearest **GCC** distributors for any technical assistance on parts and services, or contact us directly.

If you are looking for high quality products, **GCC** is your best choice.



Agent/ Distributor



GOOD CREDIT CORPORATION

No.13, Longmen Rd., Situn Dist., Taichung 40757, Taiwan

E-mail: gctw@ms7.hinet.net

TEL: 886-4-22583755(Hunting Line)

FAX: 886-4-22583753

<http://www.gccintw.com.tw>



© Copyright 2011.10 Good Credit Corporation

G-TECH

SLIDING DOOR SYSTEM

- Made by High Quality Stainless Steel Material.
- Special Design For Easy Installation & Adjustment.
- Modern & Elegant Look.



G-Tech

Sliding Door System

- A design alternative to standard top hung and bottom track sliding system, this system is suitable for 10mm (3/8") and 12mm (1/2") toughened glass, the recommended lock being the GL34S or GL34R.
- The glass fixings are available in either Flat (F) or Countersunk (C) flush fittings.



(F)



(C)





(F)



(C)

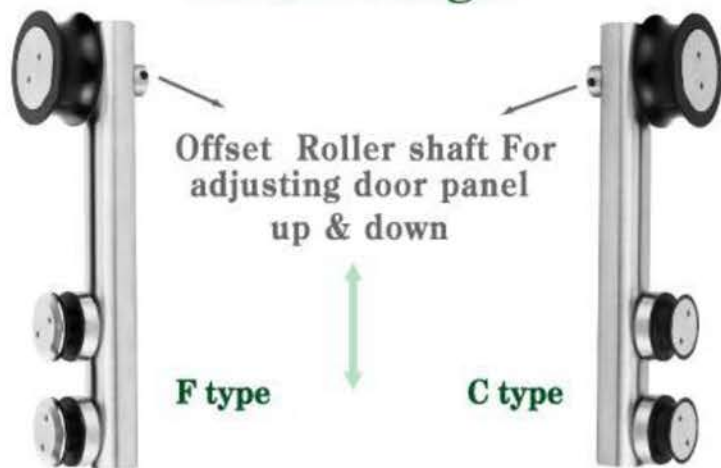


■ GSD - 423F

Roller Hanger

■ GSD - 423C

GCC[®]



F type

C type



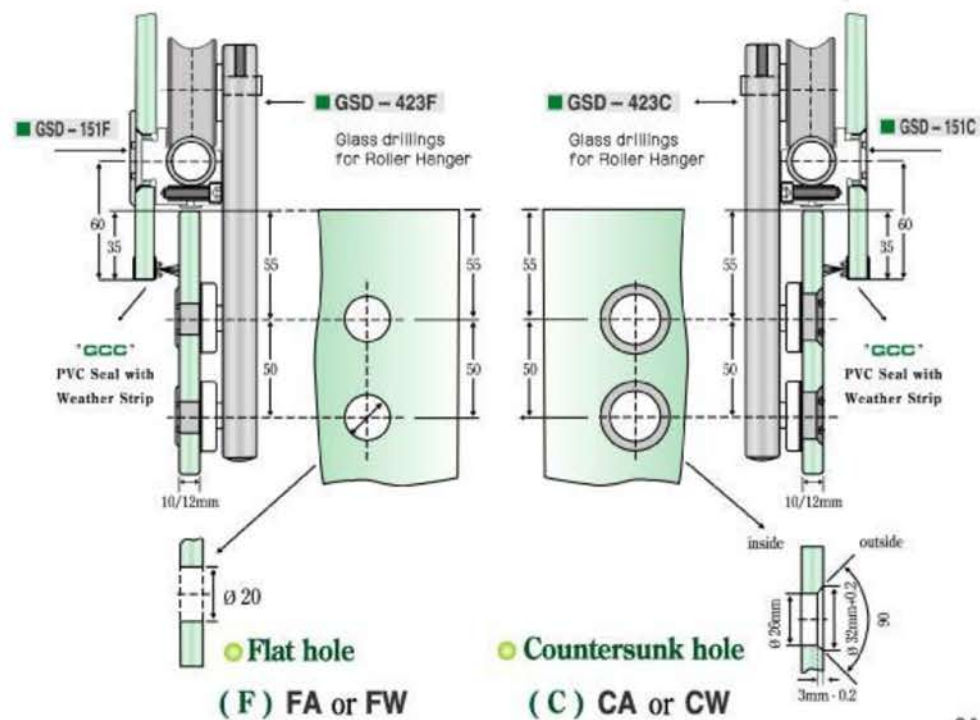
FA

FW



CA

CW



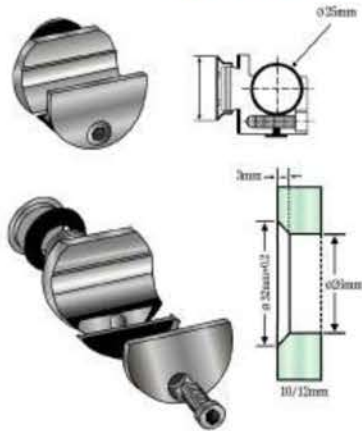


GSD-153

■ GSD – 153 Rail Holder to Wall

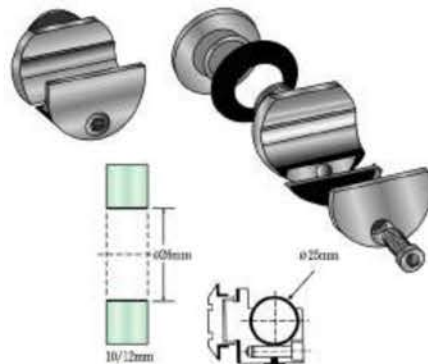


■ GSD – 151C Rail Holder to Glass

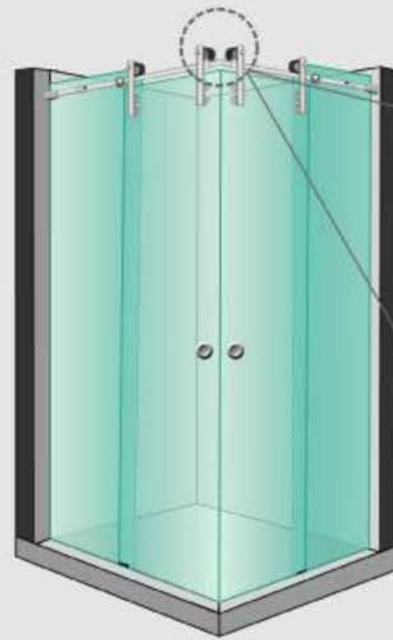


GSD-151C

■ GSD – 151F Rail Holder to Glass



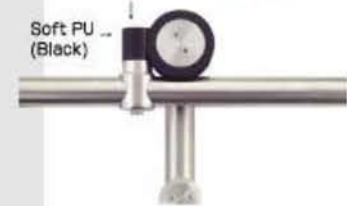
GSD-151F



■ GSD – 435
90°-180° Corner
Universal Joint
(Free Angle)

Top View

■ GSD – 420B Stopper



■ GSD – 420 Stopper (With Spring)



GSD-420

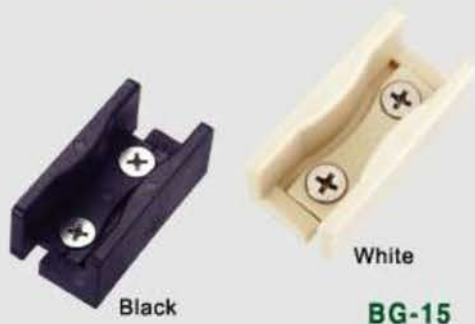


■ GSD – 420B Stopper



GSD-420B





■ BG-15 Bottom Guide



- For hold the glass panel at bottom.
- Adjustable for 8/10/12mm thick glass.
- Made by industrial grade plastic.
- Two colors optional black / White.

■ BG-15S Bottom Guide



BG-15S



- For hold the glass panel at bottom.
- Adjustable for 10/12mm thick glass.
- Made by stainless steel.

■ GSD-RECS End Cap

- For GSD-025 Sliding Rail.
- Made by Stainless Steel.



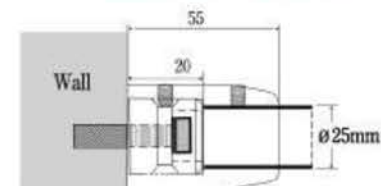
■ GSD-REC End Cap

- For GSD-025 Sliding Rail.
- Made by Plastic.



GSD-440

■ GSD-440 Rail End Holder



GSD-435

■ GSD-435 Corner Universal Joint



- For connecting sliding rail (tube).
- 90°-180° Corner Universal Joint (Free Angle)

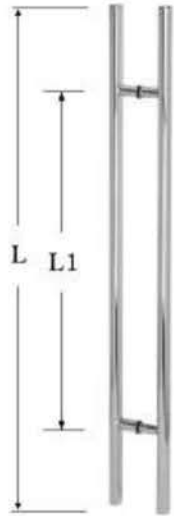
■ GSD-025

Ø25mm Heavy wall Stainless Steel Rail



GSD-025

H-16



44 D:D Type Tubing
30

SIZE (mm)

L(length)	L1(C/C)
800	425
1000	600
1200	800
1500	1020
1900	1200

- Customer length acceptable.

H-22



Dia.32mm
Round Tubing

SIZE (mm)

L(length)	L1(C/C)
800	425
1000	600
1200	800
1500	1020
1900	800x800

- Customer length acceptable.

GCC[®]

Single Point Fitting

- For Holding Fixed Panel to Ground, Wall or Ceiling.
- 2mm up & Down, left & Right Adjustable.



G-245C

G-245F

GSD-20MH

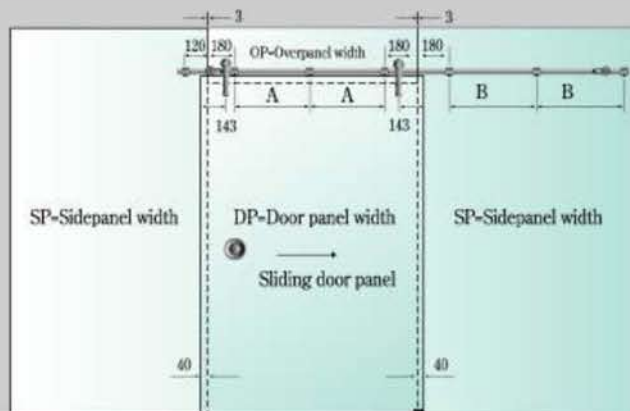
Magnet Stopper & Holder

Patented

- For Protect edge of double door.
- Strong magnet inside with plastic for stop & hold.



Measurements for installation and glass preparation



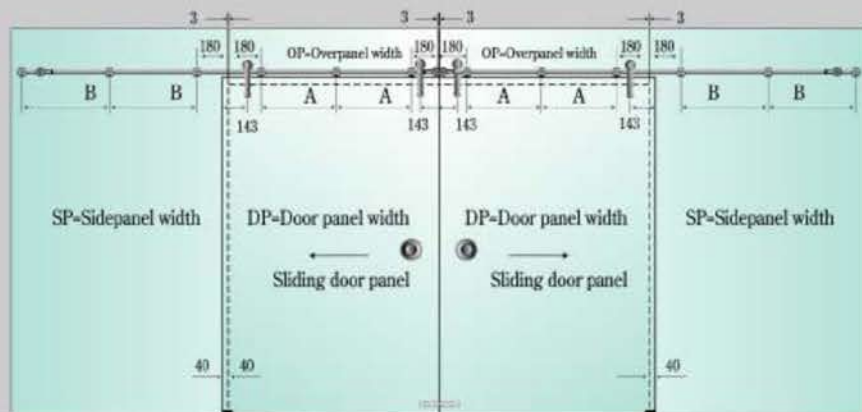
$$A = [OP - (180 + 180)] \div 2$$

$$B = [SP - (180 + 180)] \div 2$$

OP=Overpanel width

SP=Sidepanel width

DP=Door panel width



$$A = [OP - (180 + 180)] \div 2$$

$$B = [SP - (180 + 180)] \div 2$$

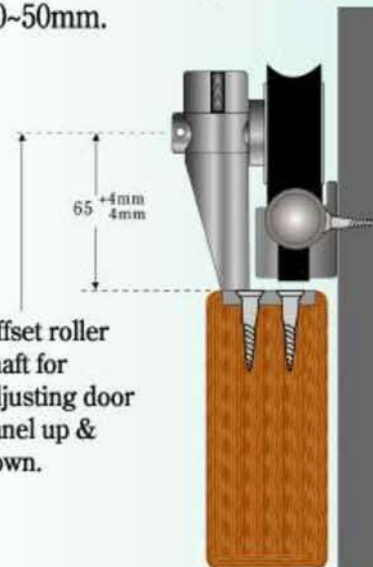
OP=Overpanel width

SP=Sidepanel width

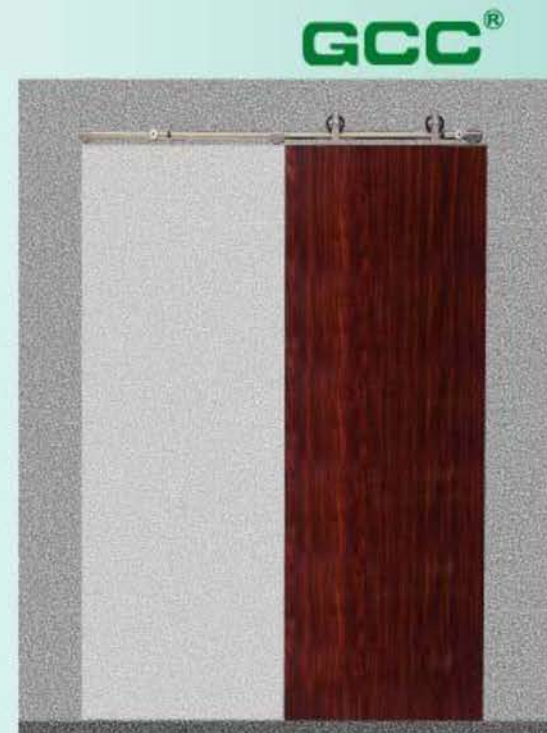
DP=Door panel width

GSD-523 Roller Hanger

- New design for wooden sliding door.
- Complete system as G-Tech glass sliding door, but with special design of roller hanger for wooden door.
- Available for door panel thickness 40~50mm.



- Offset roller shaft for adjusting door panel up & down.



BG-16A Bottom Guide

- For Guide the wooden door panel.
- Made by aluminium alloy. (BG-16A)

