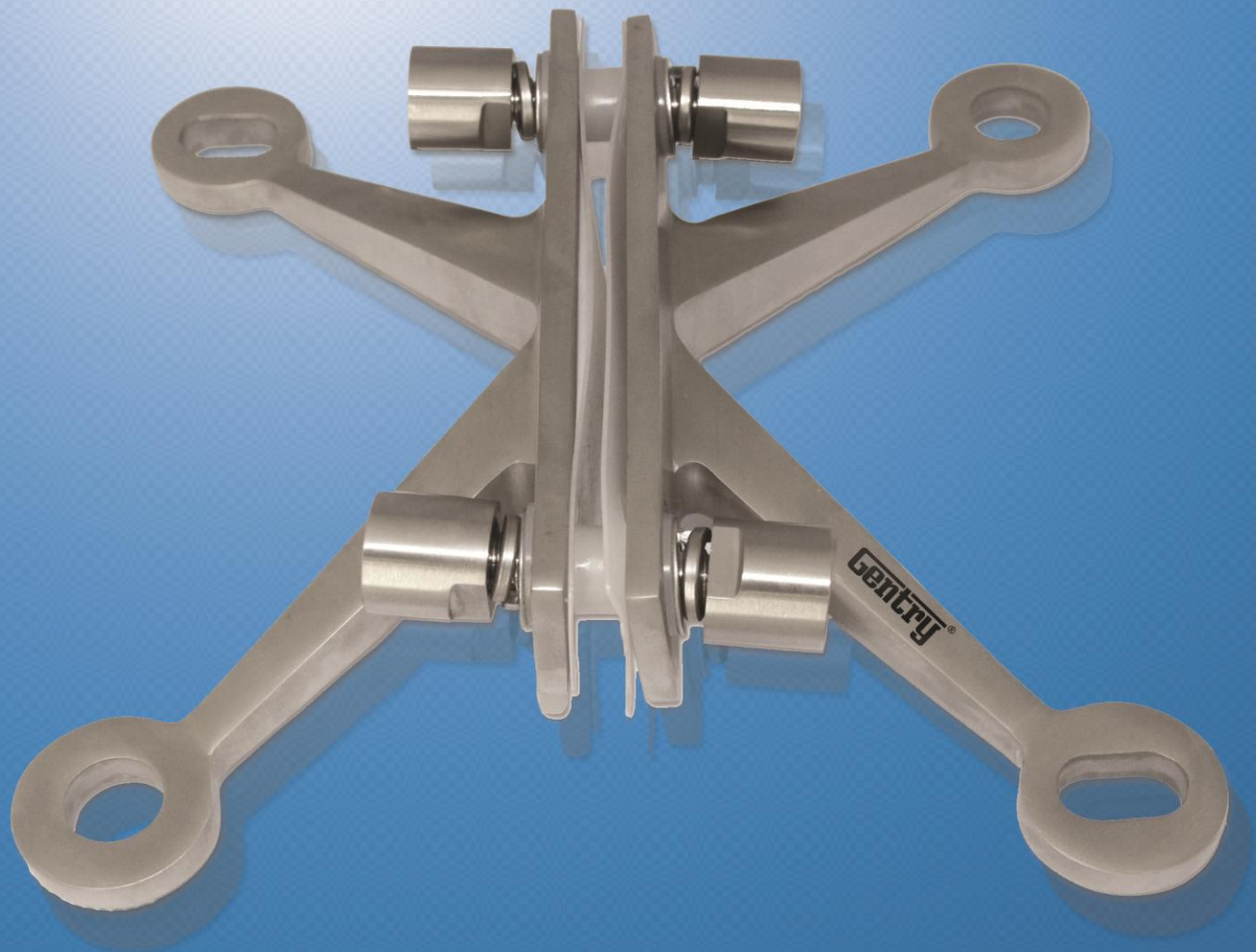


SPIDER FITTINGS

PROFESSIONAL ARCHITECTURAL HARDWARE SERIES



Gentry®

SPIDER FITTINGS & HARDWARE

A vogue for modern construction and decoration



A fascinating design element that enhances any facade. Whether in straight-lined or segmented facades, or circular configurations with curved glazing, Gentry Spider Fittings meet requirements of functionality and aesthetic elegance.

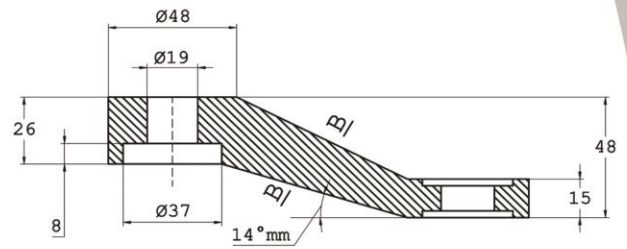
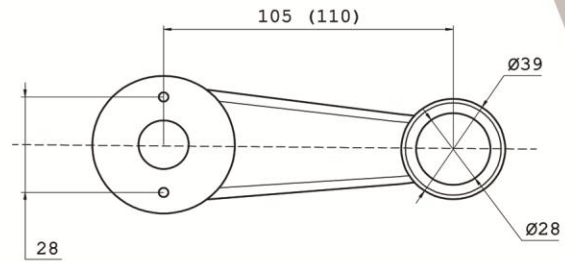
The arms of the Spider evenly absorb the load at all fixing points while the resilient single-point fixings compensate for thermal expansion and glass panel deformation.

Applications

- Showrooms
- Atriums
- Airports
- Exhibition Rooms
- Glass Roofing
- Canopies
- Reception Areas

FM2201H

STAINLESS STEEL SPIDER



SSS Satin (Hairline) Polished

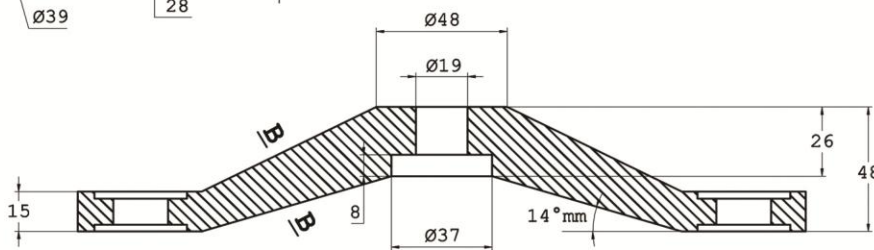
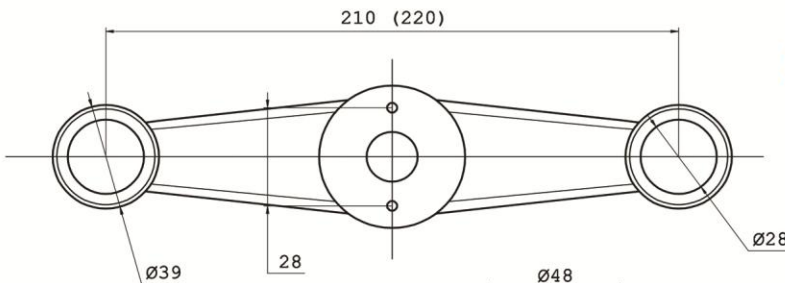


10mm - 19mm Glass Thickness

SS-304 Material

FM2202H

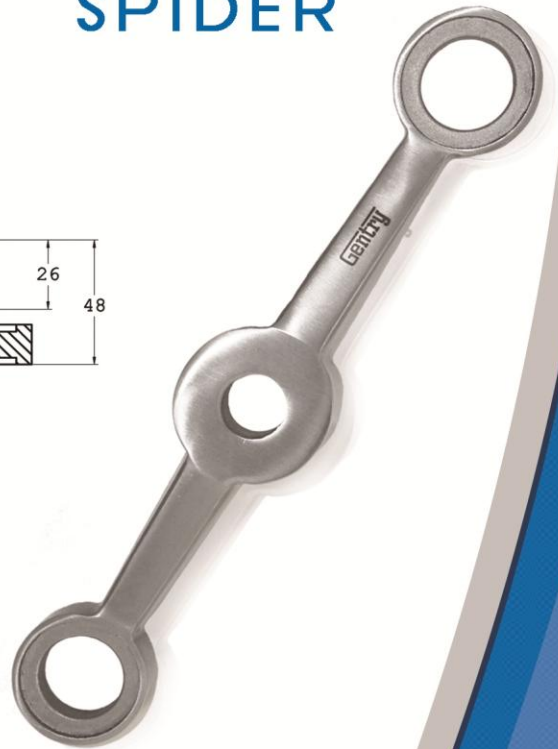
STAINLESS STEEL SPIDER



SSS Satin (Hairline) Polished

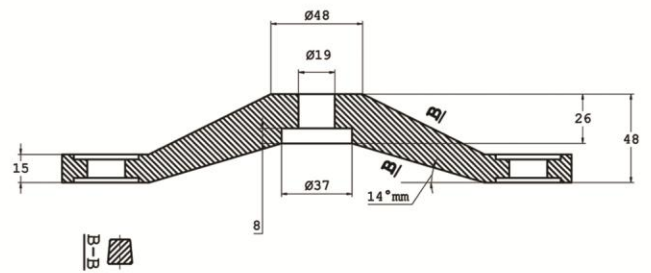
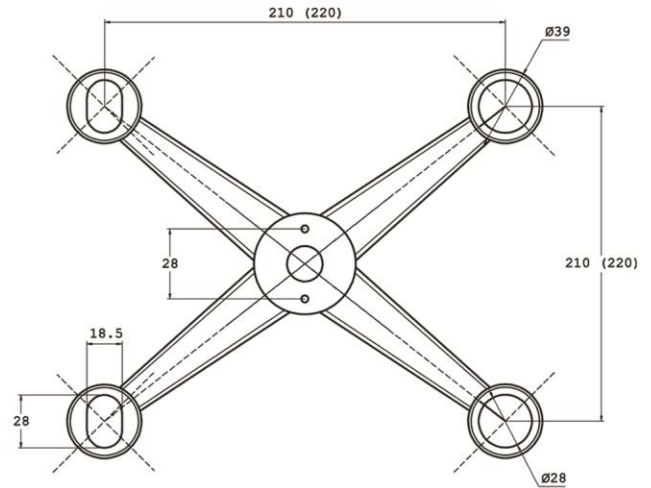
10mm - 19mm Glass Thickness

SS-304 Material



FM2204

STAINLESS STEEL SPIDER



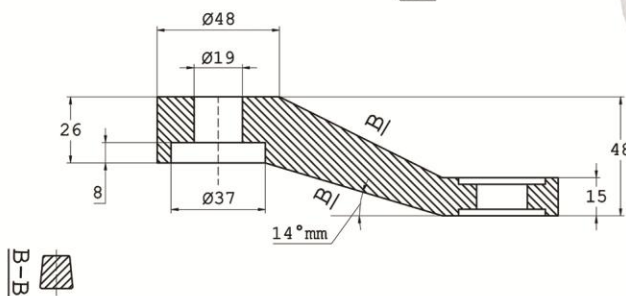
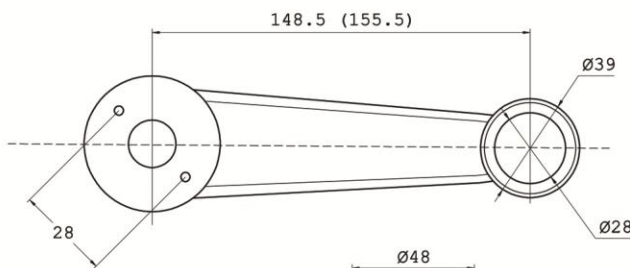
SSS Satin (Hairline) Polished

10mm - 19mm Glass Thickness

SS-304 Material

FM2101L

STAINLESS STEEL SPIDER



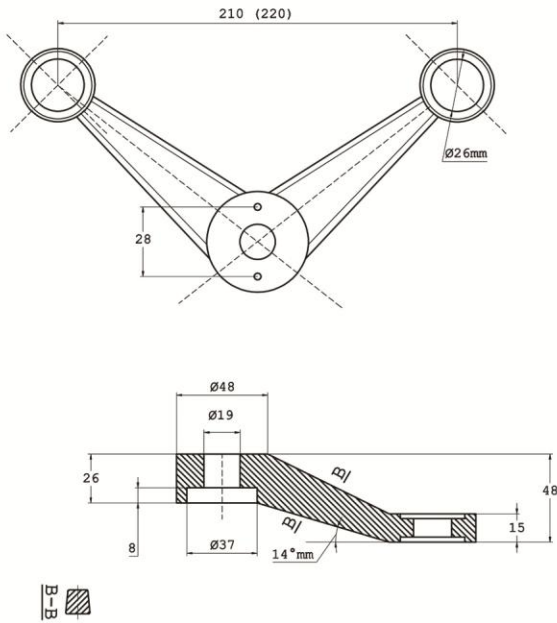
SSS Satin (Hairline) Polished

10mm - 19mm Glass Thickness

SS-304 Material

FM2102L

STAINLESS STEEL SPIDER



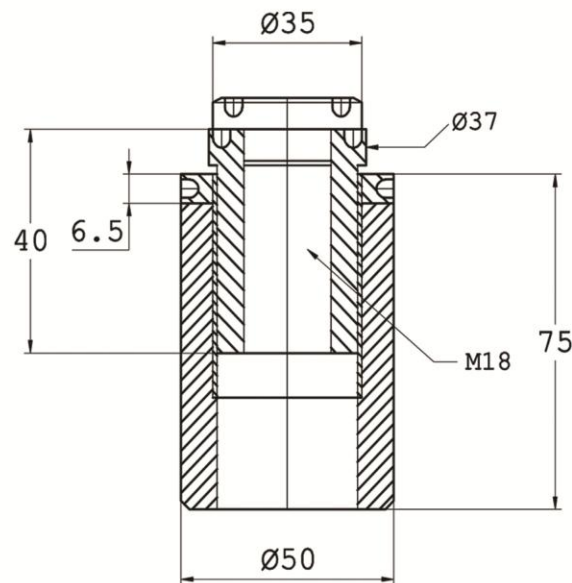
SSS Satin (Hairline) Polished

10mm - 19mm Glass Thickness

SS-304 Material

A01-M18

SPIDER BASE



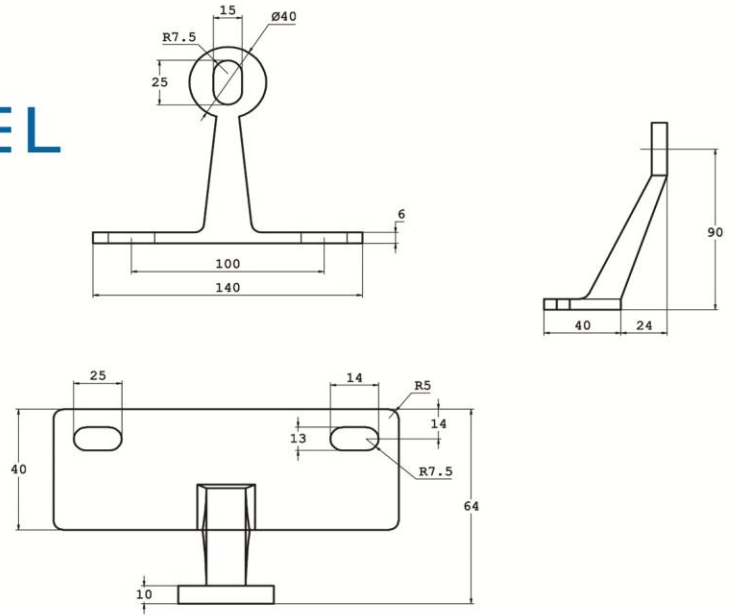
SSS Satin (Hairline) Polished

10mm - 19mm Glass Thickness

SS-304 Material

FK2002T

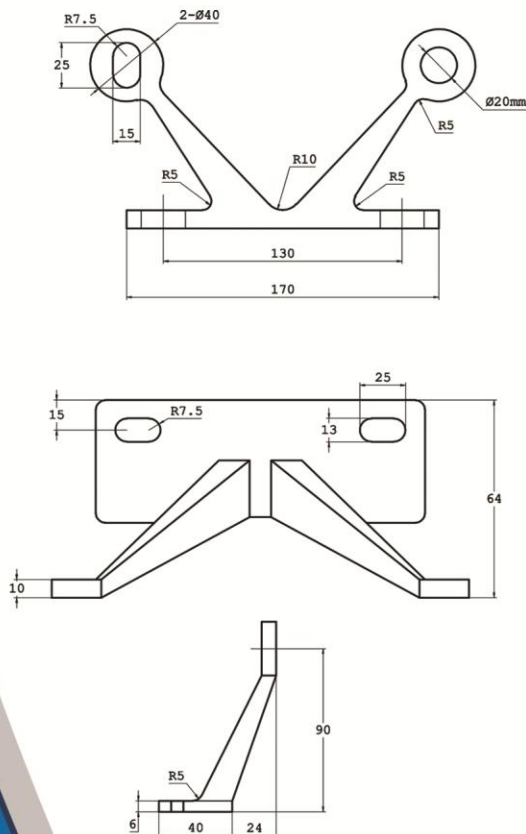
STAINLESS STEEL SPIDER



- SSS** Satin (Hairline) Polished
- 10mm - 19mm** Glass Thickness
- SS-304** Material

FK2004

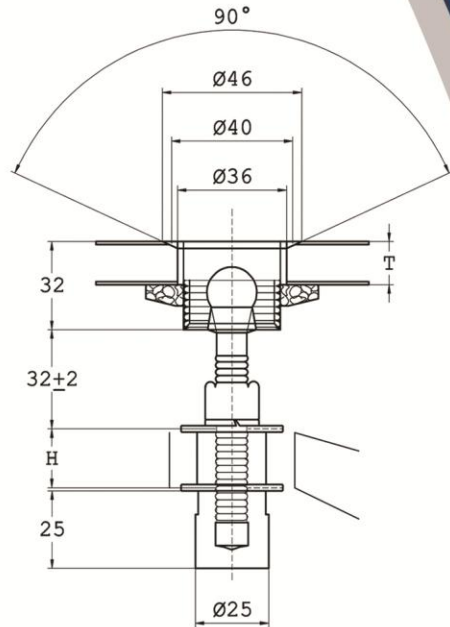
STAINLESS STEEL SPIDER



- SSS** Satin (Hairline) Polished
- 10mm - 19mm** Glass Thickness
- SS-304** Material

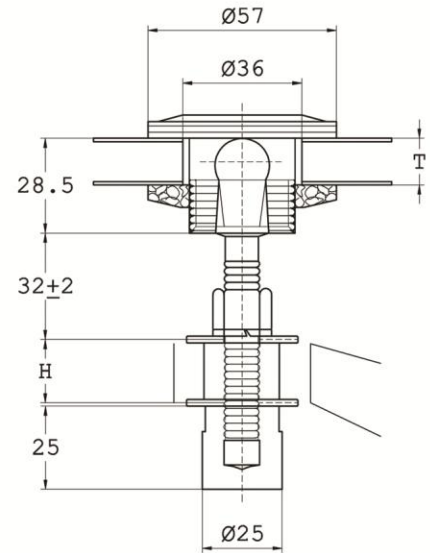
T01 SPIDER ROUTEL

SSS Satin (Hairline) Polished
10mm - 19mm Glass Thickness
SS-304 Material



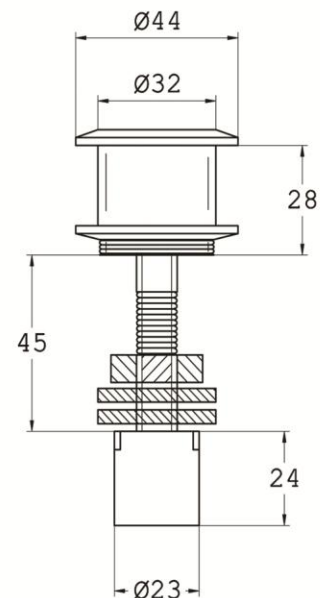
T02 SPIDER ROUTEL

SSS Satin (Hairline) Polished
10mm - 19mm Glass Thickness
SS-304 Material



T32 SPIDER ROUTEL

SSS Satin (Hairline) Polished
10mm - 19mm Glass Thickness
SS-304 Material





Gentry[®]
SPIDER
FITTINGS



**PHILTECH GLASS
INDUSTRIES
CORPORATION**

44 De Vera St., cor. Roosevelt Ave., SFDM, Quezon City, Philippines 1105
Trunkline: (632) 372-3896 / Fax Nos.: (632) 415-7387; 413-0692; 371-5415 to 16
Email: sales@sanfranciscomirror.com / Website: www.philtechglass.com